



Peelers Vegetable Peeler, 25 kg - Abrasive Plate & Filter

ITEM # _____

MODEL # _____

NAME # _____

SIS # _____

AIA # _____



Peelers

Vegetable Peeler, 25 kg - Abrasive Plate & Filter

603517 (DTI25F35)

Vegetable Peeler, 25 kg - with
abrasive plate & filter -
230-400V/3/50

Short Form Specification

Item No.

Stainless steel cylinder diam.540mm, angled at 18° towards the front. This improves the performance and facilitates the loading and unloading of the vegetables. The removable rotating plate is covered with a special abrasive vitreous (lavastone) material guaranteeing a high quality finish to the peeled vegetables and a practically unlimited lifespan. Fully opening transparent polycarbonate lid with lock, equipped with a micro switch to stop the machine if lid is opened, as well as an interlocking safety magnetic device will stop the machine when the unloading door is opened. Built-in stainless steel filter table (on rubber feet) with a removable filter basket (anchoring to floor recommended). Flat and waterproof touch button control panel with timer. The controls and the motor have IP55 protection.

Supplied with abrasive plate and abrasive cylinder for hard tubers peeling.

Main Features

- Suitable for 100-500 meals per service.
- Stainless steel cylinder, 540 mm in diameter, angled at 18° for better performance and to facilitate vegetable loading and unloading operations.
- Water-tight aluminum door with upward lifting, incorporates a safety device activated when opened.
- Supplied with:
-abrasive plate, abrasive cylinder and filter basket as standard
- Timer with countdown display.
- Pulse function to control the unloading operation.
- Safety devices will stop the machine from operating when the lid and/or door are opened.

Construction

- IP55 waterproof control panel.
- Stainless steel filter table with a removable filter basket attached to the peeler.
- Transparent polycarbonate lid fully opening, equipped with lock.

Included Accessories

- 1 of Abrasive plate for 25 kg vegetable peeler PNC 653506

Optional Accessories

- Abrasive plate for 25 kg vegetable peeler PNC 653506

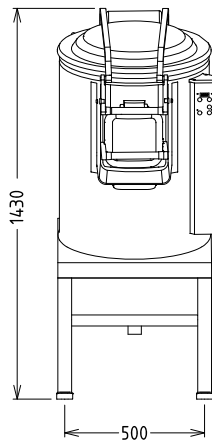
APPROVAL: _____



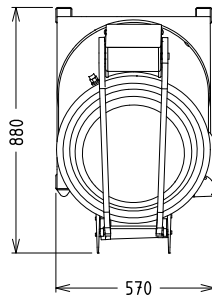


Peelers Vegetable Peeler, 25 kg - Abrasive Plate & Filter

Front



Top



CWI

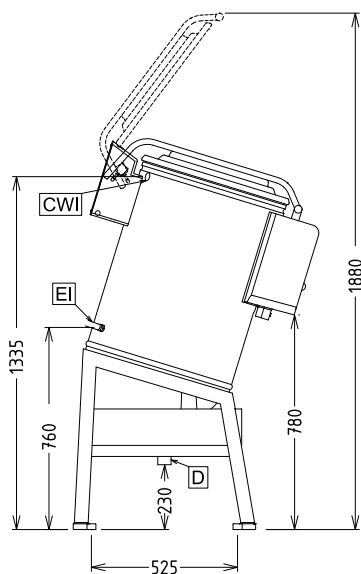
= Cold Water inlet

EQ = Equipotential screw

D = Drain

EI = Electrical connection

Side



Electric

Supply voltage:

603517 (DTI25F35) 230/400 V/3 ph/50 Hz

Electrical power:

0.9 kW

Total Watts:

0.9 kW

Capacity:

Performance (up to):

400 - kg/hour

Capacity:

25 kg

Key Information:

External dimensions, Height:

1425 mm

External dimensions, Width:

565 mm

External dimensions, Depth:

880 mm

Shipping weight:

110 kg

Peeling capacity/potatoes:

400 kg/h



Peelers
Vegetable Peeler, 25 kg - Abrasive Plate & Filter

The company reserves the right to make modifications to the products without prior notice. All information correct at time of printing.